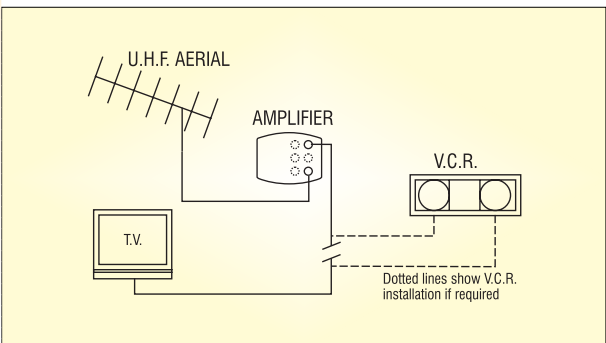




The U.H.F. Set Back Amplifier is an indoor mains operated unit, and will improve noisy U.H.F. T.V. pictures. Not suitable for use with M.A.T.V. systems.

U.H.F. only	-	CH.21 - 68, 470 - 860MHz.
Gain	-	14db.
Flatness	-	+ -1.5db.
Noise figure	-	2.5db.
Output	-	98dbuv
Supply voltage	-	230v a.c. 50hz + -10% 2 Watts
Fitted with non-rewireable 13 amp plug	-	with 3 amp fuse
LED indicator	-	Indicates mains switched on
Size	-	110mm L x 76mm W x 40mm D
C.E. compliance	-	Approved
Mounting	-	Two hole fixing
Order code	-	Set Back





TWO SET DISTRIBUTION AMPLIFIER

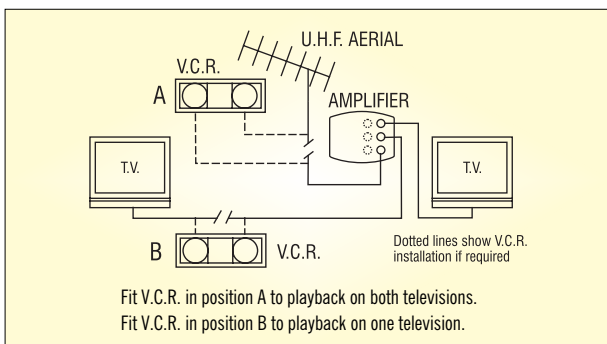
SET BACK RANGE

This unit is designed to operate two U.H.F. television sets from one aerial with no degradation of the original signal.



S P E C I F I C A T I O N S

U.H.F. only	-	CH.21 - 68, 470 - 860MHz.
Gain	-	9db. per socket.
Flatness	-	+ -1db.
Noise figure	-	3.3db.
Output per socket	-	94dbuv
Supply voltage	-	230v a.c. 50hz + -10% 2 Watts
Fitted with non-rewireable 13 amp plug	-	with 3 amp fuse
LED indicator	-	Indicates mains switched on
Size	-	110mm L x 76mm W x 40mm D
C.E. compliance	-	Approved
Mounting	-	Two hole fixing
Order code	-	2 Set

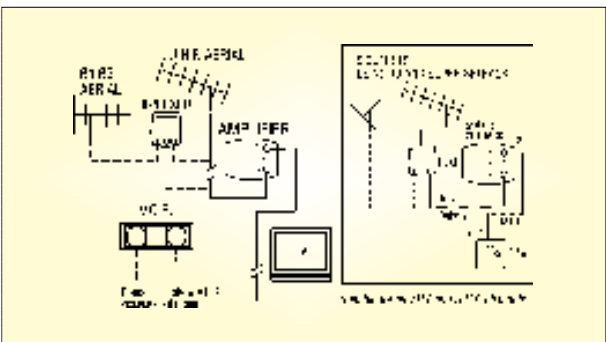


BUBBLE PACKED



This unit is an indoor mains operated unit, and will improve noisy V.H.F. and U.H.F. pictures. Primarily manufactured for export markets where V.H.F./U.H.F. T.V. is available. Ideal for use in the U.K. as a power splitting amplifier, when used in conjunction with a Fringe T6/14T splitter unit 6 outlets may be obtained. Not suitable for M.A.T.V. systems.

V.H.F. – U.H.F.	–	40 - 860MHz. wideband
Gain	–	22db.
Flatness	–	+ –1db.
Noise figure	–	3.9db.
Output	–	98dbuv
Supply voltage	–	230v a.c. 50hz + –10% 2 Watts
Fitted with non-rewireable 13 amp plug	–	with 3 amp fuse
LED indicator	–	Indicates mains switched on
Size	–	110mm L x 76mm W x 40mm D
C.E. compliance	–	Approved
Mounting	–	Two hole fixing
Order code	–	Super Set Back





SUPER TWO SET AMPLIFIER

SET BACK RANGE

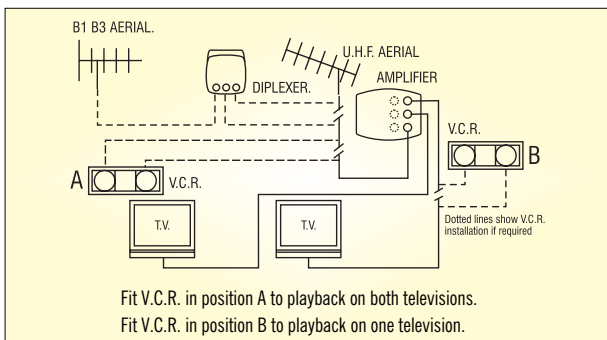


This unit is designed to operate two U.H.F. – V.H.F. television sets from one aerial. The 19db. gain per socket provides sufficient signal gain to improve weak pictures. Primarily manufactured for export markets where V.H.F. – U.H.F. T.V. is available.



S P E C I F I C A T I O N S

V.H.F. – U.H.F.	–	47 - 860MHz. wideband.
Gain	–	19db. per socket.
Flatness	–	+ –1db.
Noise figure	–	3.9db.
Output per socket	–	95dbuv
Supply voltage	–	230v a.c. 50hz + –10% 2 Watts
Fitted with non-rewireable 13 amp plug	–	with 3 amp fuse
LED indicator	–	Indicates mains switched on
Size	–	110mm L x 76mm W x 40mm D
C.E. compliance	–	Approved
Mounting	–	Two hole fixing
Order code	–	Super Two Set

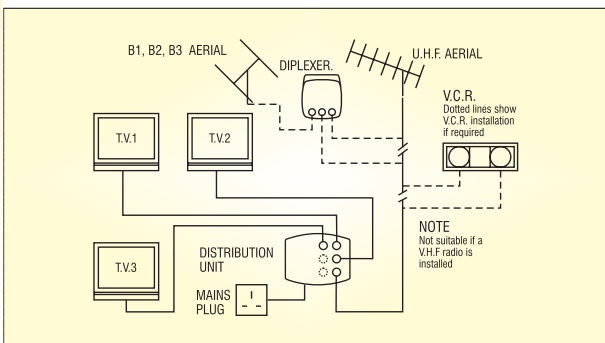


BUBBLE PACKED



This unit is designed to operate three U.H.F. or V.H.F. television sets from one aerial, with no degradation of the original signal.

V.H.F. – U.H.F.	–	47 - 860MHz.
Gain per socket	–	8db.
Flatness	–	+ –1db.
Noise figure	–	3.9db.
Output per socket	–	85dbuv
Supply voltage	–	230v a.c. 50hz + –10% 2 Watts
Fitted with non-rewireable 13 amp plug	–	with 3 amp fuse
LED indicator	–	Indicates mains switched on
Size	–	110mm L x 76mm W x 40mm D
C.E. compliance	–	Approved
Mounting	–	Two hole fixing
Order code	–	3 Set





FOUR SET DISTRIBUTION AMPLIFIER

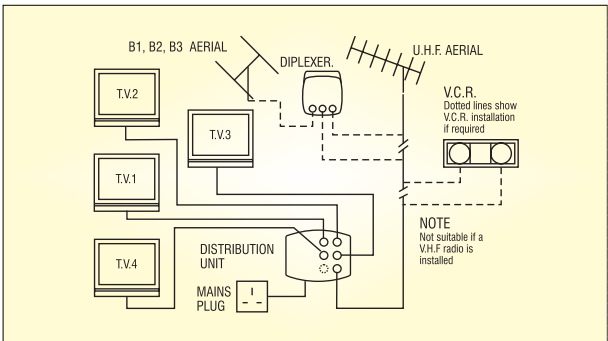
SET BACK RANGE

This unit is designed to operate four U.H.F. or V.H.F. television sets from one aerial, with no degradation of the original signal.



S P E C I F I C A T I O N S

Bandwidth	-	47 - 860MHz.
Gain per socket	-	7db.
Flatness	-	+ -1db.
Noise figure	-	3.9db.
Output per socket	-	84 dbuv.
Supply voltage	-	230v ac 50Hz + - 10% 2 watts
Fitted with non-rewireable 13 amp plug	-	with 3 amp fuse
LED indicator	-	Indicates mains switched on
Size	-	110mm L x 76mm W x 40mm D
C.E. compliance	-	Approved
Mounting	-	Two hole fixing
Order code	-	4 Set



BUBBLE PACKED