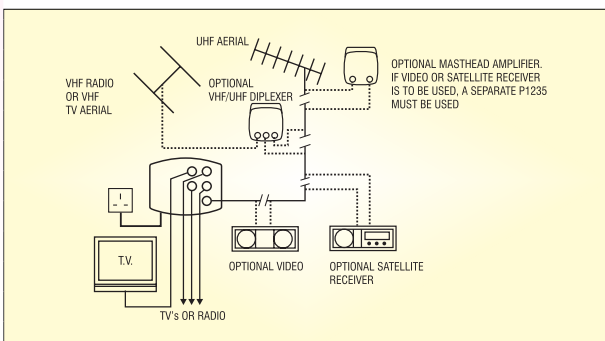




The Mini 4 is a compact, indoor, mains operated amplifier, designed for domestic and commercial use. The unit enables one aerial to supply four televisions and F.M. radios simultaneously. Video tape recorder playback signals may also be distributed by the Mini 4 via the aerial input socket. The single input socket is suitable for V.H.F. radio or V.H.F. T.V. and wide band U.H.F. television. Provisions are available to line power any Fringe model Masthead Amplifier, where reception is poor.

V.H.F. – U.H.F.	–	47 - 860MHz.
Gain per socket	–	7db.
Flatness	–	+ –1db.
Noise figure	–	3.9db.
Output per socket	–	84dbuv
Isolation between sockets	–	Not less than 24db.
Supply voltage	–	230v a.c. 50hz + –10% 3 Watts
Fitted with non-rewireable 13 amp plug	–	with 3 amp fuse
LED indicator	–	Indicates mains switched on
Size	–	110mm L x 76mm W x 40mm D
C.E. compliance	–	Approved
Mounting	–	Two hole fixing tabs
Masthead powering	–	Internal switch to supply 12v @ 35ma.
Ideal input required	–	1 m.v. and should not exceed 6 m.v.
Order code	–	Mini 4

Suitable for all Fringe Masthead Amplifiers





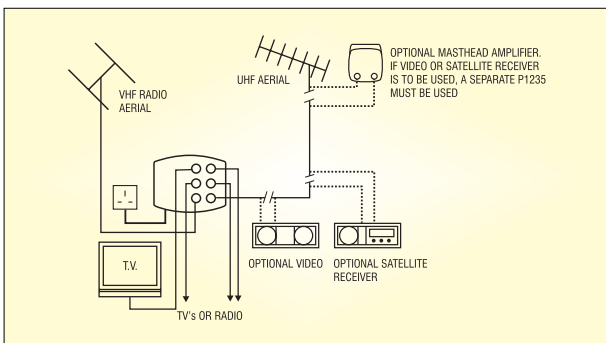
The Mini 4-2UK is a compact, mains operated amplifier, designed for domestic and commercial use. The four outputs enable one aerial to supply four televisions and F.M. radios simultaneously. A separate input socket is available for V.H.F. radio.



S P E C I F I C A T I O N S

V.H.F. – U.H.F.	–	V.H.F 88 - 108MHz
	–	U.H.F. 470 - 860MHz.
Gain per socket	–	6.5db.
Flatness	–	+ –1db.
Noise figure	–	V.H.F. 4.4db / U.H.F. 4.9db
Output per socket	–	84dbuv
Isolation between sockets	–	Not less than 24db.
Supply voltage	–	230v a.c. 50Hz + – 10% 3 watts
Fitted with non-rewireable 13 amp plug	–	with 3 amp fuse
LED indicator	–	Indicates mains switched on
Size	–	110mm L x 76mm W x 40mm D
C.E. compliance	–	Approved
Mounting	–	Two hole fixing
Masthead powering	–	Internal switch to supply 12v @ 35ma.
Ideal input required	–	1 m.v. and should not exceed 6 m.v.
Order code	–	Mini 4-2UK

Suitable for all Fringe Masthead Amplifiers

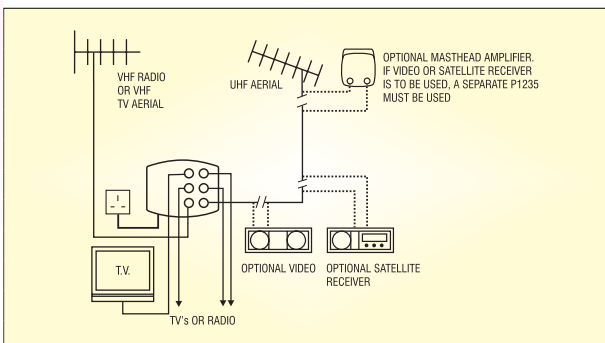


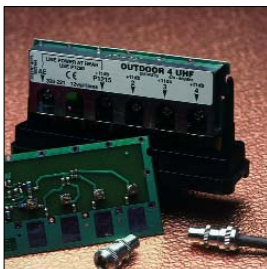


Designed for the export market, the Mini 4-2 Export, is a compact, mains operated amplifier, for domestic and commercial use. The four outputs enable one aerial to supply four televisions. A separate input socket is incorporated for V.H.F.

V.H.F. – U.H.F.	–	V.H.F 47 - 230MHz.
	–	U.H.F. 470 - 860MHz
Gain per socket	–	6.5db.
Flatness	–	+ –1db.
Noise figure	–	V.H.F. 4.4db / U.H.F. 4.9db
Output per socket	–	84dbuv
Isolation between sockets	–	Not less than 24db.
Supply voltage	–	230v a.c. 50hz + –10% 3 Watts
Fitted with non-rewireable 13 amp plug	–	with 3 amp fuse
LED indicator	–	Indicates mains switched on
Size	–	110mm L x 76mm W x 40mm D
C.E. compliance	–	Approved
Mounting	–	Fixing tab or self adhesive pads
Masthead powering	–	Internal switch to supply 12v @ 35ma.
Ideal input required	–	1 m.v. and should not exceed 6 m.v.
Order code	–	Mini 4-2 Export

Suitable for all Fringe Masthead Amplifiers

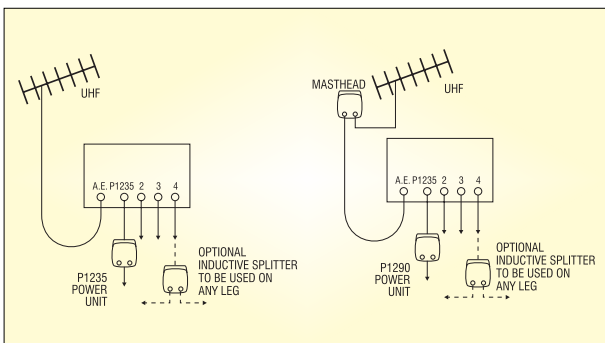




The Fringe Outdoor 4 is a four outlet, remote powered, U.H.F. only distribution amplifier. If the unit is used in a poor reception area, provisions are available to line power a masthead amplifier.

S P E C I F I C A T I O N S

Frequency range	– U.H.F. 470 - 860MHz
Channels	– 21 – 68
Gain per leg	– 11db.
Noise figure	– 3db.
Output capability	– 84dbuv. 16mv.
Flatness	– + –1.5db.
Isolation between legs	– 25db.
Power requirements	– 12v d.c. @ 15ma (Use P1235)
Masthead powering	– Switch at rear of PCB. Shipped in the Off position
If masthead amp. required	– Use P1235 or P1290 Power Unit
Size	– 154mm W x 103mm H x 58mm D
C.E. compliance	– Approved
Ideal input required	– 1mv min and should not exceed 5mv
Order code	– Outdoor 4



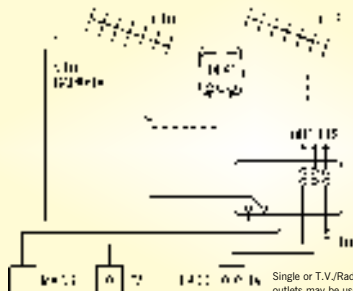


The 6 Way T.V./F.M.-Radio Distribution Amplifier is designed for domestic/commercial use.

It enables one aerial to supply up to six televisions/F.M. radios simultaneously. Video tape recorder signals may also be distributed by the 6 Way, via the U.H.F. input socket. The amplifier has two inputs V.H.F. T.V./Radio and U.H.F. T.V. If the unit is used in a poor reception area, provisions are available to line power a U.H.F. masthead amplifier.

S P E C I F I C A T I O N S

Two separate inputs	–	U.H.F.	V.H.F.
Frequency range MHz.	–	470-860	47-230
Channels	–	21-68	1-13
Gain per socket	–	7db.	7db.
Flatness	–	+ -1.5db.	+ -1.5db.
Noise figure	–	3.8db.	3.4db.
Maximum output (DIN 45005)	–	17mv – 85dbuv.	
Side rejection (Isolation)	–	Worst case 33db. Typical 38db.	
Ideal input required	–	1mv. min and should not exceed 8mv - 79dbuv.	
U.H.F. Masthead power	–	External switch to supply 12v d.c. @ 35ma.	
		Suitable for any Fringe U.H.F. masthead amplifier	
		Shipped in the Off position	
Supply voltage	–	230v a.c. 50Hz + -10% 5 watts	
Fitted with non-rewireable 13 amp plug	–	with 3 amp fuse	
Two LED indicators	–	Indicates mains On and line power On	
Fixing	–	Two tabs fixing centres 193mm	
Size	–	207mm L x 96mm W x 51mm D	
Weight	–	Shipping weight 700 grammes	
C.E. compliance	–	Approved	
Order code	–	6 Way	



We recommend the use of double isolated outlet sockets for maximum safety.

* Alternative U.H.F. station shown in dotted lines.

Single or T.V./Radio twin diplexed outlets may be used, as required.



7 WAY DISTRIBUTION AMPLIFIER

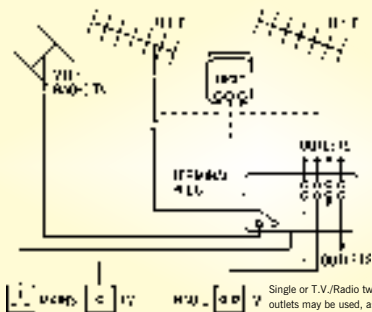
DISTRIBUTION RANGE



The 7 Way T.V./F.M.-Radio Distribution Amplifier is designed for domestic/commercial use, and enables one aerial to supply up to seven televisions/F.M. radios simultaneously. With additional Fringe T6 splitter units a maximum of 19 points may be fitted. A full output socket on the amplifier provides this facility. Full connection details are enclosed with each unit. Video tape recorder playback signals may also be distributed by this unit, via the U.H.F. input socket. The amplifier has two inputs V.H.F. T.V./Radio and U.H.F. T.V. If the unit is used in a poor reception area provisions are available to line power a U.H.F. masthead amplifier.

S P E C I F I C A T I O N S

Two separate inputs	–	U.H.F.	V.H.F.
Frequency range MHz.	–	470-860	47-230
Channels	–	21-68	1-13
Gain per socket	–	6.5db.	6.5db.
Full output socket	–	23db.	23db.
Flatness	–	+ -1.5db.	+ -1.0db.
Noise figure	–	3.8db.	3.4db.
Maximum output (DIN 45005)	Spurs	–	17mv -85dbuv.
	Full output socket	–	102dbuv.
Side rejection (Isolation)	–	Worst case 30db. Typical 36db.	
Ideal input required	–	1mv. min and should not exceed 8mv - 79dbuv.	
U.H.F. Masthead power	–	External switch to supply 12v d.c. @ 35ma. Suitable for any Fringe U.H.F. masthead amplifier Shipped in the Off position	
Supply voltage	–	230v a.c. 50Hz + -10% 5 watts	
Fitted with non-rewireable 13 amp plug	–	with 3 amp fuse	
Two LED indicators	–	Indicates mains On and line power On	
Fixing	–	Two tabs fixing centres 193mm	
Size	–	207mm L x 96mm W x 51mm D	
Weight	–	Shipping weight 700 grammes	
C.E. compliance	–	Approved	
Order code	–	7 Way	



We recommend the use of double isolated outlet sockets for maximum safety.

* Alternative U.H.F. station shown in dotted lines.

Single or T.V./Radio twin duplexed outlets may be used, as required.

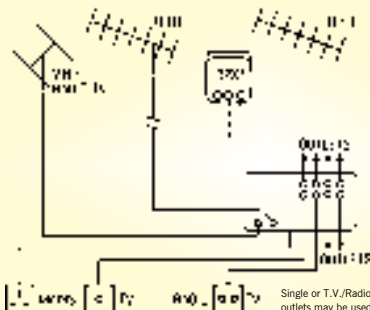
The 8 Way T.V./F.M.-Radio Distribution Amplifier is designed for domestic/commercial use. It enables one aerial to supply up to eight televisions/F.M.

radios simultaneously. Video tape recorder playback signals may also be distributed by the 8 Way, via the U.H.F. input socket. The amplifier has two inputs V.H.F. T.V./Radio and U.H.F. T.V. If the unit is used in a poor reception area provisions are available to line power a U.H.F. masthead amplifier



S P E C I F I C A T I O N S

Two separate inputs	–	U.H.F.	V.H.F.
Frequency range MHz.	–	470-860	47-230
Channels	–	21-68	1-13
Gain per socket	–	6.5db.	6.5db.
Flatness	–	+ –1.5db.	+ –1.0db.
Noise figure	–	3.8db.	3.4db.
Maximum output (DIN 45005)	–	17mv –85dbuv.	
Side rejection (Isolation)	–	Worst case 33db. Typical 38db.	
Ideal input required	–	1mv. min and should not exceed 8mv - 79dbuv.	
U.H.F. Masthead power	–	External switch to supply 12v d.c. @ 35ma. Suitable for any Fringe U.H.F. masthead amplifier Shipped in the Off position	
Supply voltage	–	230v a.c. 50Hz + –10% 5 watts	
Fitted with non-rewireable 13 amp plug	–	with 3 amp fuse.	
Two LED indicators	–	Indicates mains On and line power On	
Fixing	–	Two tabs fixing centres 193mm	
Size	–	207mm L x 96mm W x 51mm D	
Weight	–	Shipping weight 700 grammes	
C.E. compliance	–	Approved	
Order code	–	8 Way	



We recommend the use of double isolated outlet sockets for maximum safety.

* Alternative U.H.F. station shown in dotted lines.

Single or T.V./Radio twin dplexed outlets may be used, as required.



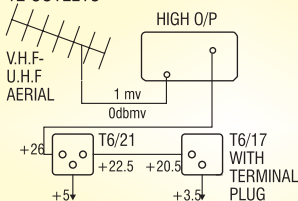
The High Output Distribution Amplifier is a compact V.H.F. – U.H.F. mains operated unit, and is ideal for small radio/television systems.

A range of T6 Fringe splitter units are available for use with these amplifiers. Provisions are available to line power any Fringe model masthead amplifier. Supplied with installation and application notes.

S P E C I F I C A T I O N S

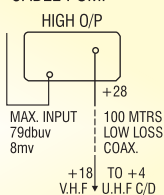
V.H.F. – U.H.F.	–	47 – 860MHz
Gain per socket	–	28db.
Flatness	–	+ –1.5db.
Noise figure	–	3.4db.
Output	–	223mv – 107dbuv
Supply voltage	–	230v a.c. @ 50Hz + –10% 5 watts
Fitted with non-rewireable 13 amp plug	–	with 3 amp fuse
Masthead powering	–	Any Fringe model 12v @ 35m.a.
LED indicator	–	Indicates mains switched on
Size	–	207mm L x 96mm W x 51mm D
C.E. compliance	–	Approved
Mounting	–	Two tabs fixing centres 193mm
Order code	–	High Output

12 OUTLETS



Suitable for all channels
V.H.F. A, B, C.D.

CABLE PUMP



Actual length of cable and losses incurred depend on the grade of coax. used.



This distribution amplifier is a compact V.H.F. – U.H.F. mains operated unit. It has two output sockets to facilitate the easy installation of a small radio/television system. A range of T6 Fringe splitter units are available for use with these amplifiers. Provisions are available to line power any Fringe model masthead amplifier. Supplied with installation and application notes.

S P E C I F I C A T I O N S

V.H.F. – U.H.F.	–	47 – 860MHz
Gain per socket	–	24db.
Flatness	–	+ –1.5db.
Noise figure	–	3.4db.
Output per socket	–	141mv – 103dbuv
Supply voltage	–	230v a.c. @ 50Hz + –10% 5 watts
Fitted with non-rewireable 13 amp plug	–	with 3 amp fuse.
Masthead powering	–	Any Fringe model 12v @ 35m.a.
LED indicator	–	Indicates mains switched on
Size	–	207mm L x 96mm W x 51mm D
C.E. compliance	–	Approved
Mounting	–	Two tabs fixing centres 193mm
Order code	–	Split High Output

